

# FIRESTONE ANCHORGARD CANTED QUOTE/ORDER FORM

(CIRCLE ONE)

DATE: \_\_\_\_\_ SHIP TO: \_\_\_\_\_

P.O. #: \_\_\_\_\_

JOB NAME: \_\_\_\_\_

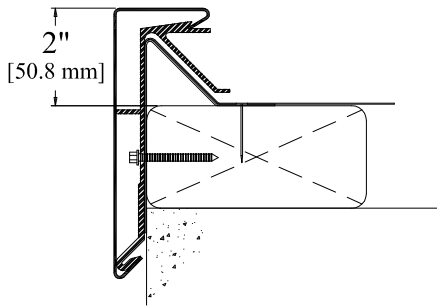
ORDERED BY: \_\_\_\_\_ CARRIER TO CALL 24 HRS. BEFORE DELIVERY: \_\_\_\_\_

COMPANY: \_\_\_\_\_

TELEPHONE: \_\_\_\_\_

FAX: \_\_\_\_\_ F.O.B. DESTINATION: \_\_\_\_\_

## FIRESTONE ANCHORGARD CANTED



AEFC-F552 (5 1/2")

### Material: (Check one)

- 24 GA. (0.61 mm) Steel
- .040" (1.01 mm) ALUMINUM
- .050" (1.27 mm) ALUMINUM
- .063" (1.60 mm) ALUMINUM

Color: \_\_\_\_\_

Finish: \_\_\_\_\_

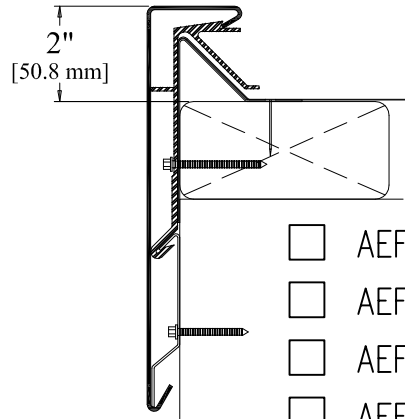
### QUANTITIES:

_____ L.F. (12' Lengths)	\$_____ /LF
_____ EA. Outside Miters (90°)	\$_____ /EA
_____ EA. Outside Miters (____°)	\$_____ /EA
_____ EA. Inside Miters (90°)	\$_____ /EA
_____ EA. Inside Miters (____°)	\$_____ /EA
_____ EA. Overflow Scupper Style ___A___B	\$_____ /EA
_____ EA. Spillout Scupper Style ___A___B	\$_____ /EA
_____ EA. Downspout Scupper Style ___A___B	\$_____ /EA

A: Tapered 1 1/2" Drop

B: Flat

## FIRESTONE ANCHORGARD CANTED FOR LARGER FACE HEIGHTS



- AEFC-F902 (9")
- AEFC-F1052 (10 1/2")
- AEFC-F1202 (12")
- AEFC-F1352 (13 1/2")

### Material: (Check one)

- .050" (1.27 mm) ALUMINUM
- .063" (1.60 mm) ALUMINUM

OTHER \_\_\_\_\_

Color: \_\_\_\_\_

Finish: \_\_\_\_\_

### QUANTITIES:

_____ L.F. (12' Lengths)	\$_____ /LF
_____ EA. Outside Miters (90°)	\$_____ /EA
_____ EA. Outside Miters (____°)	\$_____ /EA
_____ EA. Inside Miters (90°)	\$_____ /EA
_____ EA. Inside Miters (____°)	\$_____ /EA
_____ EA. Overflow Scupper Style ___A___B	\$_____ /EA
_____ EA. Spillout Scupper Style ___A___B	\$_____ /EA
_____ EA. Downspout Scupper Style ___A___B	\$_____ /EA

A: Tapered 1 1/2" Drop

B: Flat

# Firestone

**Building Products**

DATE: 07/15/05

DRN BY: JSH

CKD BY: SAK

SHT.# \_\_\_\_ OF \_\_\_\_

DWG# 13810-1111

D

# FIRESTONE ANCHORGARD PLATINUM QUOTE/ORDER FORM

(circle one)

DATE: \_\_\_\_\_ SHIP TO: \_\_\_\_\_

P.O. #: \_\_\_\_\_

JOB NAME: \_\_\_\_\_

ORDERED BY: \_\_\_\_\_ CARRIER TO CALL 24 HRS. BEFORE DELIVERY: \_\_\_\_\_

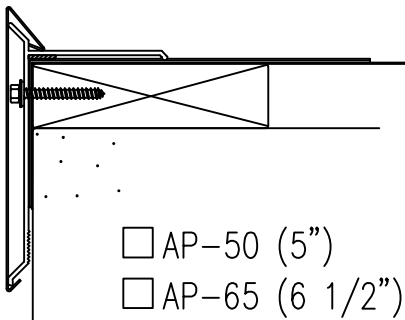
COMPANY: \_\_\_\_\_

TELEPHONE: \_\_\_\_\_

FAX: \_\_\_\_\_ F.O.B. Destination \_\_\_\_\_

Check the appropriate fascia system and fill in dimensions

## Firestone AnchorGard Platinum



- AP-50 (5")
- AP-65 (6 1/2")
- AP-85 (8 1/2")

Material: (Check one)

- 24 ga. (0.61 mm) Steel
- .040" (1.01 mm) Alum.

Color: \_\_\_\_\_ (Sm) (Tx)

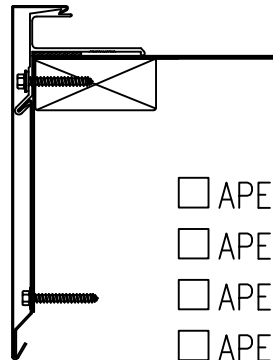
Finish: \_\_\_\_\_

### QUANTITIES:

	COST
_____ L.F. (12' Lengths)	\$_____/LF
_____ EA. Outside Miters (90°)	\$_____/EA
_____ EA. Outside Miters (____°)	\$_____/EA
_____ EA. Inside Miters (90°)	\$_____/EA
_____ EA. Inside Miters (____°)	\$_____/EA
_____ EA. Overflow Scupper Style ___A___B	\$_____/EA
_____ EA. Spillout Scupper Style ___A___B	\$_____/EA
_____ EA. Downspout Scupper Style ___A___B	\$_____/EA

A: Tapered 1 1/2" Drop  
B: Flat

## Firestone AnchorGard Platinum For use with .050" & .063" Aluminum



- APEF-85 (8 1/2")
- APEF-100 (10")
- APEF-115 (11 1/2")
- APEF-130 (13")

Material: (Check one)

- .050" (1.27 mm) Aluminum
- .063" (1.60 mm) Aluminum

Color: \_\_\_\_\_ (Sm) (Tx)

Finish: \_\_\_\_\_

### QUANTITIES:

	COST
_____ L.F. (12' Lengths)	\$_____/LF
_____ EA. Outside Miters (90°)	\$_____/EA
_____ EA. Outside Miters (____°)	\$_____/EA
_____ EA. Inside Miters (90°)	\$_____/EA
_____ EA. Inside Miters (____°)	\$_____/EA
_____ EA. Overflow Scupper Style ___A___B	\$_____/EA
_____ EA. Spillout Scupper Style ___A___B	\$_____/EA
_____ EA. Downspout Scupper Style ___A___B	\$_____/EA

A: Tapered 1 1/2" Drop  
B: Flat



DATE: 07/14/05	SHT.# ____ OF ____	
DRN BY: JSH		
CKD BY: SAK	DWG# 13810-1100	C

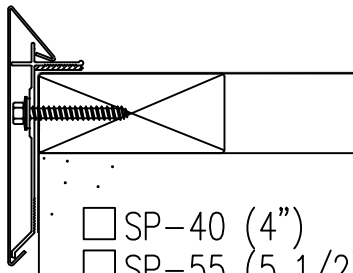
# Firestone AnchorGard Fascia QUOTE/ORDER Form

(circle one)

DATE: \_\_\_\_\_ SHIP TO: \_\_\_\_\_  
 P.O. #: \_\_\_\_\_  
 JOB NAME: \_\_\_\_\_  
 ORDERED BY: \_\_\_\_\_ CARRIER TO CALL 24 HRS. BEFORE DELIVERY: \_\_\_\_\_  
 COMPANY: \_\_\_\_\_  
 TELEPHONE: \_\_\_\_\_  
 FAX: \_\_\_\_\_ F.O.B. Destination

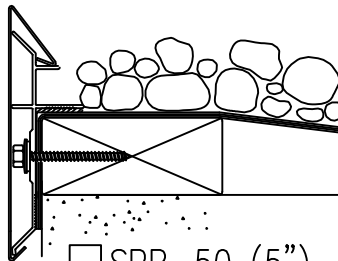
Check the appropriate fascia system and fill in dimensions

## Firestone AnchorGard SP



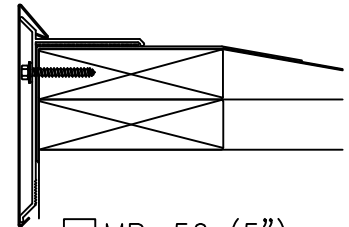
- SP-40 (4")
- SP-55 (5 1/2")
- SP-70 (7")
- SP-85 (8 1/2")

## Firestone AnchorGard SP Ballasted



- SPB-50 (5")
- SPB-65 (6 1/2")
- SPB-80 (8")

## Firestone AnchorGard MB



- MB-50 (5")
- MB-65 (6 1/2")
- MB-85 (8 1/2")

Material: (Check one)

- 24 ga. (0.61 mm) Steel
- .040" (1.01 mm) Alum.

Color: \_\_\_\_\_ (Sm) (Tx)  
 Finish: \_\_\_\_\_

### QUANTITIES:

\_\_\_\_\_ L.F. (12' Lengths) \$ \_\_\_\_\_/LF  
 \_\_\_\_\_ EA. Outside Miters (90°) \$ \_\_\_\_\_/EA  
 \_\_\_\_\_ EA. Outside Miters (\_\_\_\_°) \$ \_\_\_\_\_/EA  
 \_\_\_\_\_ EA. Inside Miters (90°) \$ \_\_\_\_\_/EA  
 \_\_\_\_\_ EA. Inside Miters (\_\_\_\_°) \$ \_\_\_\_\_/EA  
 \_\_\_\_\_ EA. Overflow Scupper Style \_\_\_A\_\_\_B \$ \_\_\_\_\_/EA  
 \_\_\_\_\_ EA. Spillover Scupper Style \_\_\_A\_\_\_B \$ \_\_\_\_\_/EA  
 \_\_\_\_\_ EA. Downspout Scupper Style \_\_\_A\_\_\_B \$ \_\_\_\_\_/EA

A: Tapered 1 1/2" Drop  
 B: Flat

Material: (Check one)

- 24 ga. (0.61 mm) Steel
- .040" (1.01 mm) Alum.

Color: \_\_\_\_\_ (Sm) (Tx)  
 Finish: \_\_\_\_\_

### QUANTITIES:

\_\_\_\_\_ L.F. (12' Lengths) \$ \_\_\_\_\_/LF  
 \_\_\_\_\_ EA. Outside Miters (90°) \$ \_\_\_\_\_/EA  
 \_\_\_\_\_ EA. Outside Miters (\_\_\_\_°) \$ \_\_\_\_\_/EA  
 \_\_\_\_\_ EA. Inside Miters (90°) \$ \_\_\_\_\_/EA  
 \_\_\_\_\_ EA. Inside Miters (\_\_\_\_°) \$ \_\_\_\_\_/EA  
 \_\_\_\_\_ EA. Overflow Scupper Style \_\_\_A\_\_\_B \$ \_\_\_\_\_/EA  
 \_\_\_\_\_ EA. Spillover Scupper Style \_\_\_A\_\_\_B \$ \_\_\_\_\_/EA  
 \_\_\_\_\_ EA. Downspout Scupper Style \_\_\_A\_\_\_B \$ \_\_\_\_\_/EA

A: Tapered 1 1/2" Drop  
 B: Flat



DATE: 07/12/05	SHT.# ____ OF ____	
DRN BY: ASL	DWG# 13810-1038	
CKD BY: SAK		